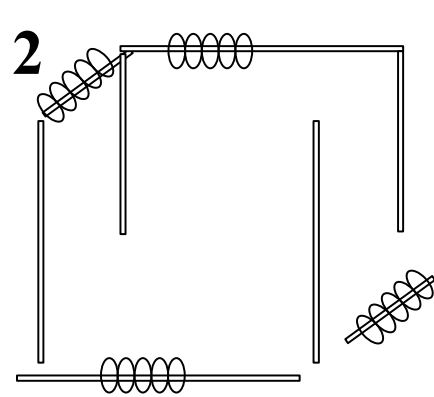
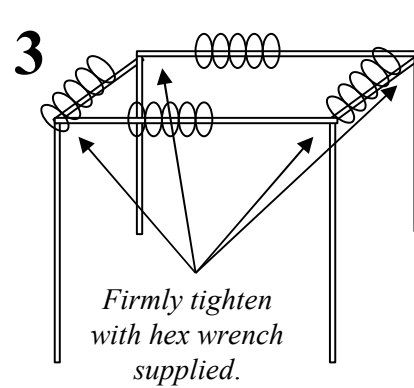


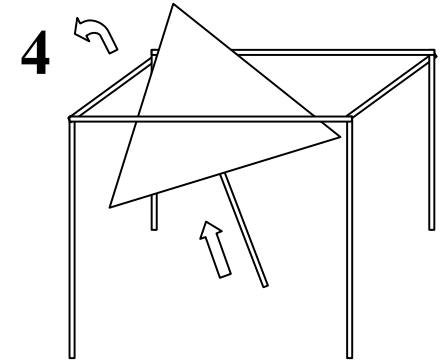
Place vertical poles upright in base sleeves and tighten security knobs.



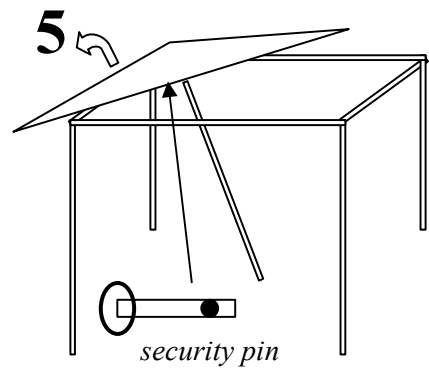
Place curtain rings on horizontal poles before attaching to vertical posts.



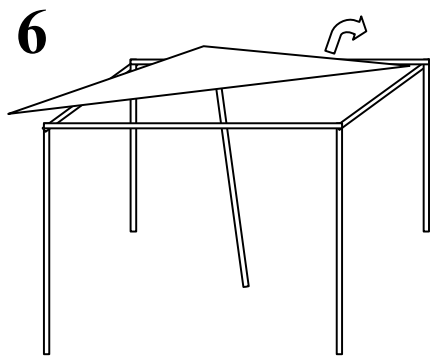
Assemble horizontal poles with curtain rings to vertical posts (***firmly tighten***).



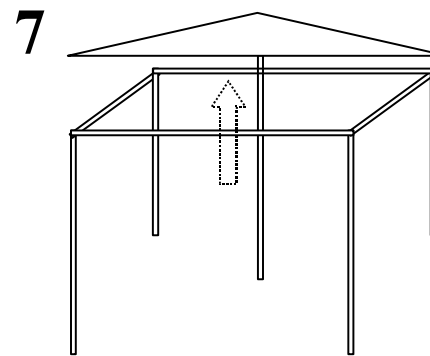
Open shade canopy half way and lift over one side of support structure



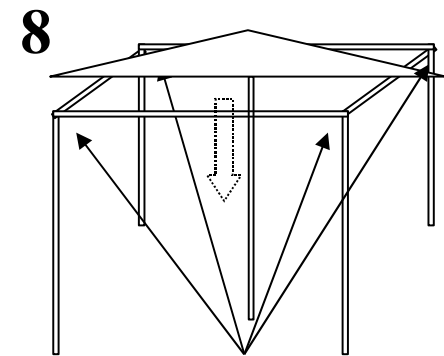
Fully deploy shade canopy and place security pin through mast at top.



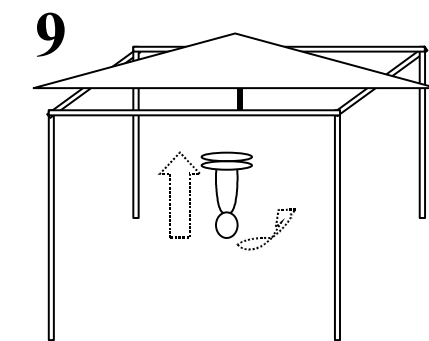
Tilt shade canopy ***over*** all sides of support structure



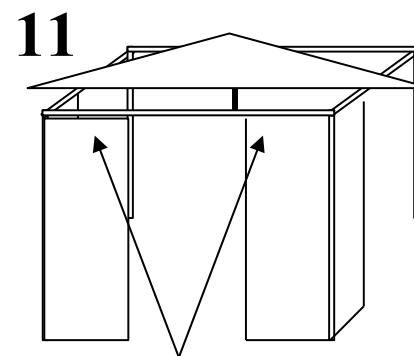
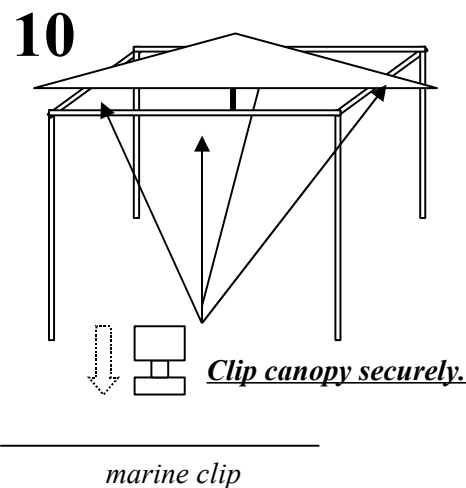
Raise shade canopy above structure and align to rest on top of structure.



Rest canopy on top of structure. ***Insert four corner fittings in vertical poles.***

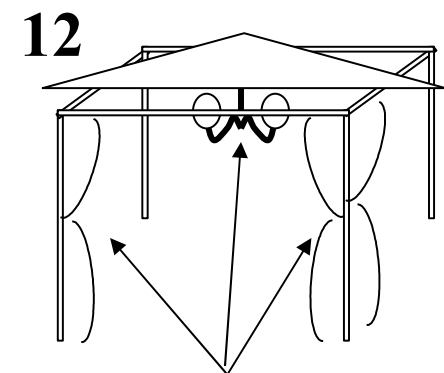


Remove center pole and replace with small aluminum finial



Hang curtains on curtain rings

ATLANTIS ASSEMBLY



Draw back curtains with ties. Clip optional light to center mast support.

